

Yamada Bulletin

Model Change of SR140PWAL Series & New Inductor Plate

Thank you for your continuous support to YAMADA.

We are pleased to announce a model change for our SR140PWAL series divorced high-pressure supply pumps.

While the current SR140PWAL series is only compatible with 18kg cans, the new version has been upgraded to accommodate both 18kg and 25kg cans. Specifically, the width of the lift base has been increased from 735mm to 771mm to provide sufficient space for the larger pail cans (please see the image below).

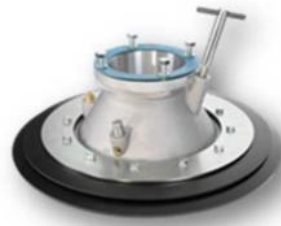


Accordingly, the product codes will also be changed as shown in the table below.

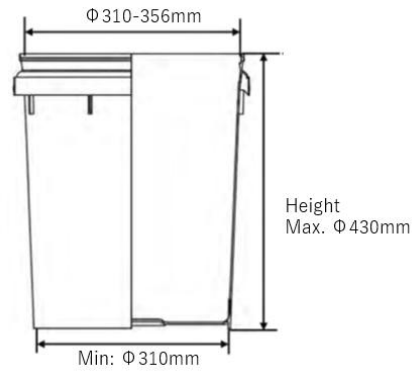
Old Code	New Code	Model Name	Inductor Plate
881107	881257	SR140P25PWAL-F	Flat Type
881108	881258	SR140P38PWAL-F	Flat Type
881109	881259	SR140P50PWAL-F	Flat Type
881110	881264	SR140P25PWAL-T	Tube Type
881111	881265	SR140P38PWAL-T	Tube Type
881112	881266	SR140P50PWAL-T	Tube Type

Please note that the new SR140 series models listed above will come with the current inductor plate, which is designed only for 18kg pail cans. If you plan to use the new SR140 series with a 25kg pail can, you will need to separately purchase the new inductor plate **IDP-140PWAL-K (805443)**, -

please refer to the image below. This new inductor plate fits 25kg pail cans with the dimensions shown below:



IDP-140PWAL-K (805443)



The new SR140 series and the new inductor plate for a 25kg can will be available from the 1st of September 2026. The current models will be discontinued once the new versions are released. Please also be informed that the pump performance will be the same. Regarding the prices for the new versions, we will inform you once confirmed.