

# Yamada Bulletin

## Design Change of DP-10/NDP-15 BA Series

Thank you for your continued support to YAMADA.  
Please be informed that the design of DP-10, NDP-15 and AD-10 series (i.e. 3/8", 1/2" Aluminum body pump) will be changed.

For detailed information, please refer to the following.

### [Applicable Products]

- DP-10BA□ series (Wetted-parts material: aluminum)
- NDP-15BA□ series (Wetted-parts material: aluminum)
- AD-10A□ series (Wetted-parts material: aluminum)
- DP-10BA□-D series (Wetted-parts material: aluminum)

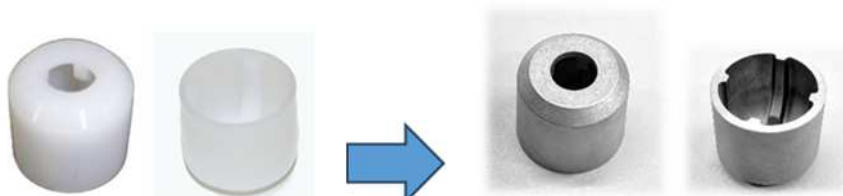
### [Material Update]

The material of the ball guides for the models stipulated above has been changed from PA6 to aluminum alloy, which is the same as the casing.

Also, parts number will be changed as below.

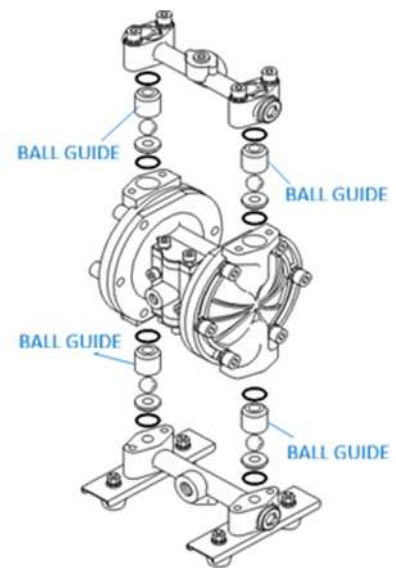
\*Old : 771368 → New : 717531 (DP-10, AD-10)

\*Old : 771523 → New : 717532 (NDP-15)



PA6

ADC 12



## **[Influences from the ball guide material change]**

First of all, the new ball guides are fully interchangeable with the previous ones as there are no changes in the dimensions.

Secondly, the change of the ball guide material does not affect compatibility with the fluid or the pump performance at all; therefore, you can use the pumps with the new ball guides in the same way as before with no problem.

Thirdly, there will be no change in the prices of the products.

The material replacement will take effect in April 2026.

Please be informed that the conventional material will be discontinued and replaced by the new version at the same time.