

Yamada Bulletin

Release of New Product – G50A Series!!

Thank you for your continuous support to YAMADA.

We are very pleased to announce our release of new 2" aluminum models called G50A series! This model is for customers who have set a target to reduce the initial cost. It's also interchangeable to major 2" aluminum pumps that already exist in the market, so that it can be more smoothly and easily fitted with the existing facilities!!

The table below shows the lineup of G50A series.

Model No.	Model Name	Body	Diaphragm
855323	G50AN00	ADC12/AC4C-T6	NBR
855324	G50AT00	ADC12/AC4C-T6	PTFE
855325	G50AH00	ADC12/AC4C-T6	TPEE
855326	G50AS00	ADC12/AC4C-T6	TPO

The model numbers in the above table are for the ones with Rc threads. However, NPT-threaded fittings are also available. So if NPT thread connections are required, please feel free to contact us!

Regarding the technical details and lineups, please refer to the attached flyers!!

Also, we can already accept the orders and the first release will be October 2024!!



G50 AL series New Available



Reliable operation

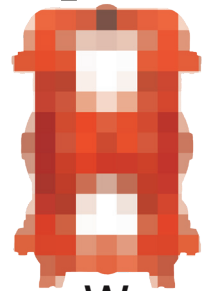
■ C-Spool technology



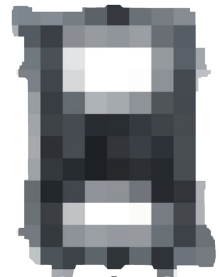
■ Useful Reset Button



Compatible



W



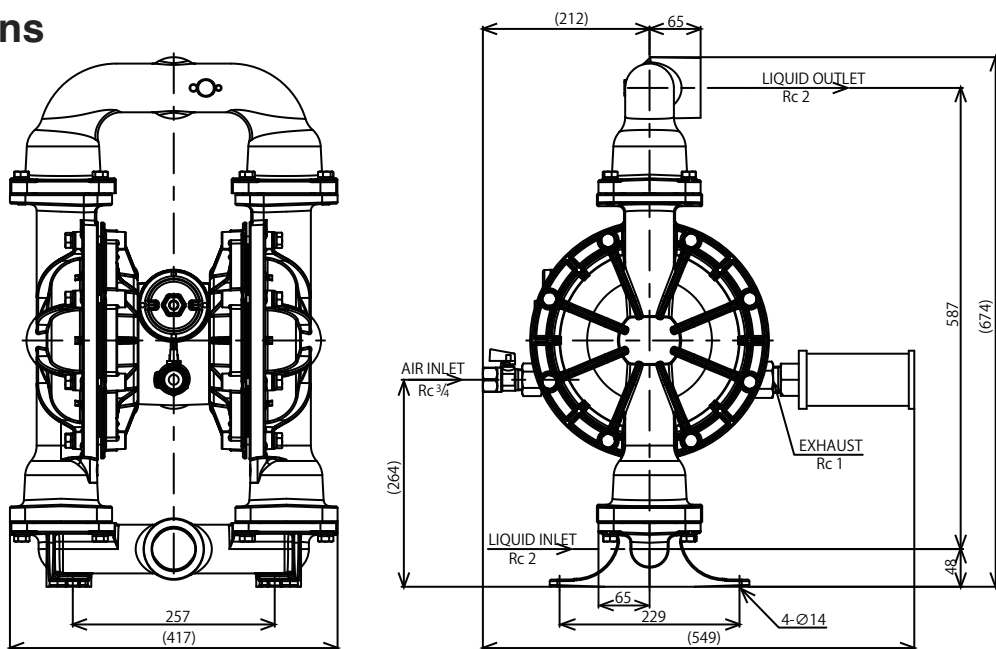
A

■ Specifications



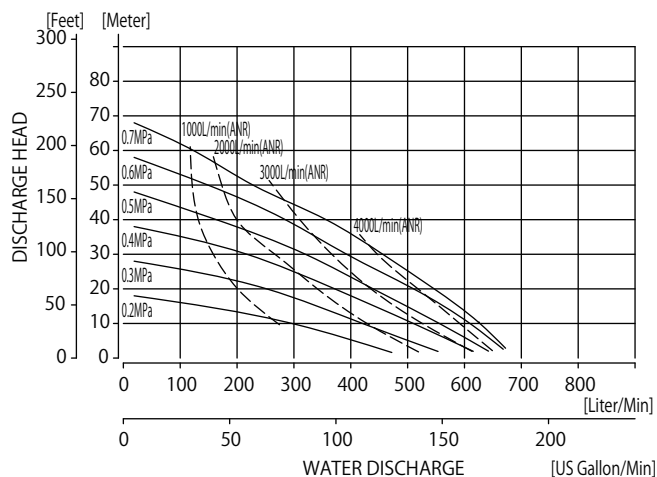
Model	G50 AL series	
Diaphragm Material	Rubber	PTFE
Max discharge volume	670 L/min (177 Gallon/min)	640 L/min (169 Gallon/min)
Max discharge pressure	0.7MPa (100psi)	
Max air consumption	5400 L/min(ANR) (190.9 SCFM)	5400 L/min(ANR) (190.9 SCFM)
Self suction lift(from dry)	3.5m	1.3m
Noize	88.5 dB [88.5 dB(A)]	96.5 dB [96.5 dB(A)]
Inlet Outlet	Rc/NPT 2"	
Air supply	NPT 3/4 or Rc3/4(with adapter)	
Air exhaust	NPT 1" Muffler	
Hight in thread center	48 mm (1.89in)	
Hight out thread center	635 mm (25in)	
Distance between in-out	587 mm (23.11in)	
Air supply port	264 mm (10.39in)	
Foot print	257 mm × 229 mm × 14 mm (10.1in × 9.0in × 0.6in)	
weight	29 kg (63.9 lbs)	30 kg (66.1 lbs)相当

■ Dimensions



■ Performance Curve

• G50AN



• G50AT

