

Yamada Bulletin

No. 2016-03

NEW AT-930K TIRE INFLATOR

Overview

As the successor model to old AT-331, new AT-930K Wall Mounting Tire Inflator is now on sale.

Product Detail

- A proven, trusted and durable pneumatic mechanism same as previous AT-331 is adopted
- There is no change in how to use familiar to customers
- Electric work is not required for installation
- The eye-catching ergonomic design promote an awareness of tire maintenance of customers
- The ventilation design prevents condensation on the indication glass.
- The finer air filter protects the internal mechanism from contamination in compressed air
- Durability of the nozzle has been enhanced
- Floor mounting stand (805102) is available as an option

[Appearance]



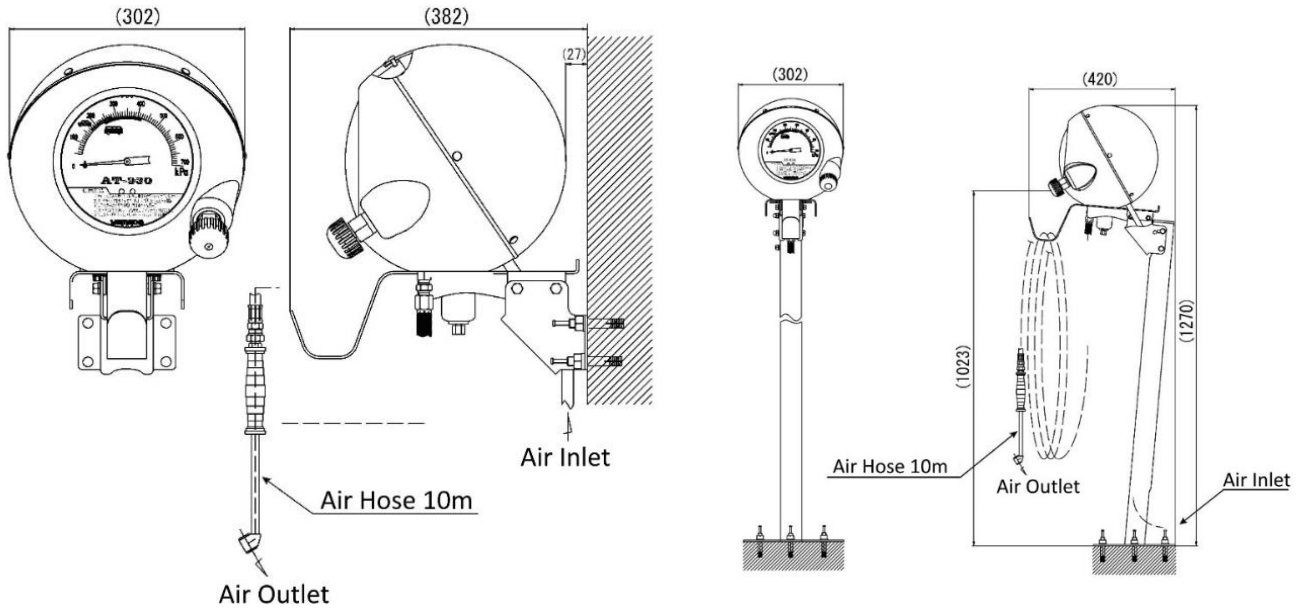
881164 AT-930K



805102 Stand Assy

Please contact intl@yamadacorp.co.jp for further information.

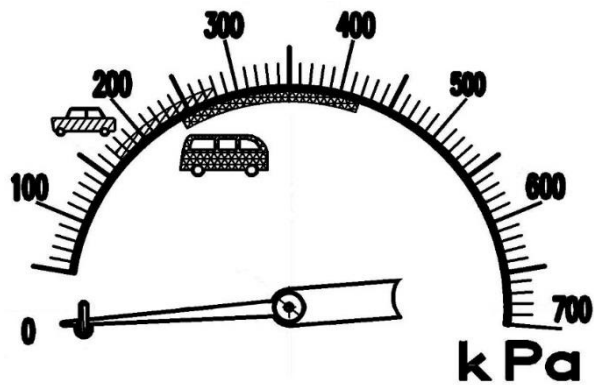
[Dimensions]



881164 AT-930K

AT-930K with 805102 Stand Assy

[Dial face]



[Specification]

Model No.	Model	Specifications	Dimensions	Weight	Accessories
881064	AT-930K	Set pressure range: 50kPa to 700kPa Minimum scale: 10kPa Temperature range: -5°C to 60°C	H: 424mm W: 302mm D: 382mm	11.0kg	- Air hose 10M with Nozzle - Anchor set

Please contact intl@yamadacorp.co.jp for further information.

YAMADA CORPORATION